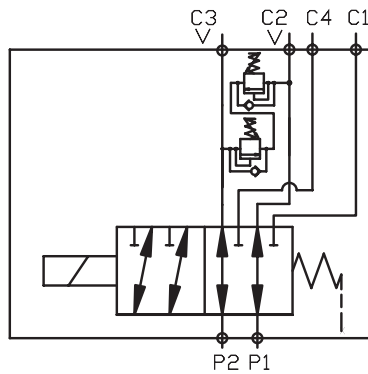


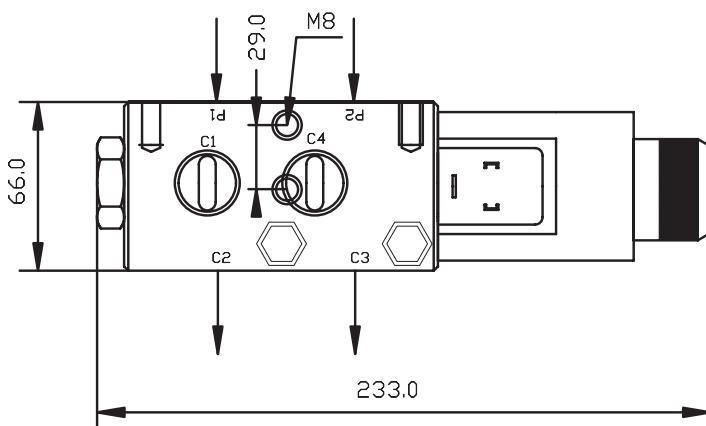
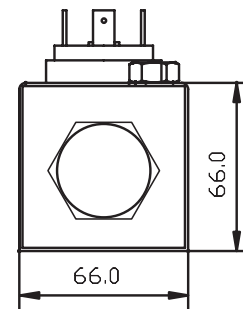
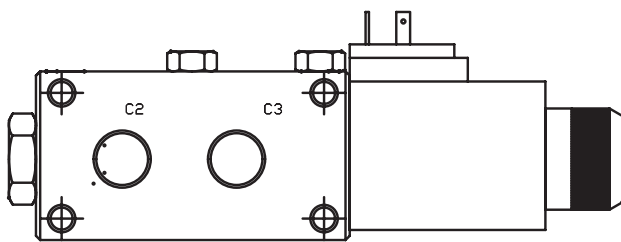
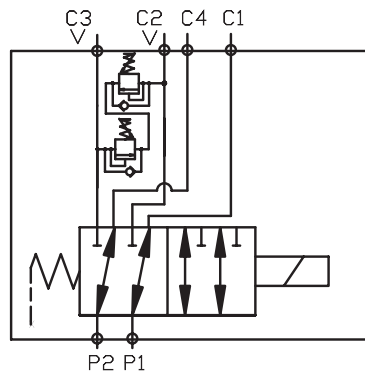
# Solenoid controlled 6/2 directional control valve R 1/2"

## Double pressure control valve / induction valve

E6212YSP



E6212YST



			VOLTAGE
			12 VDC
			24 VDC
Model	Threaded coupling	Flow l/min	Max.pres. bar.
E6212YST	R 1/2"	60	210
E6212YSP	R 1/2"	60	210