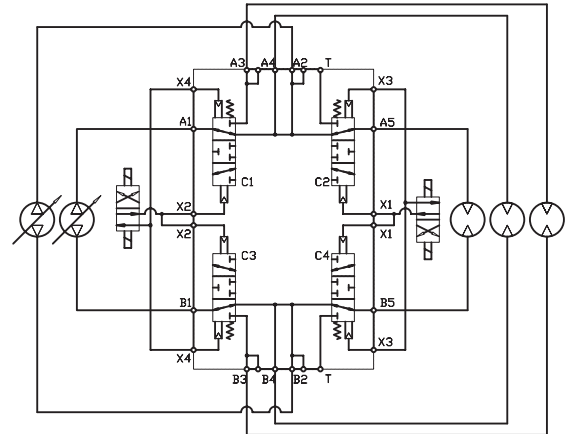
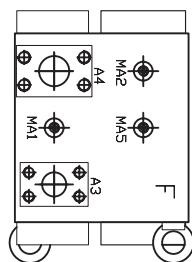
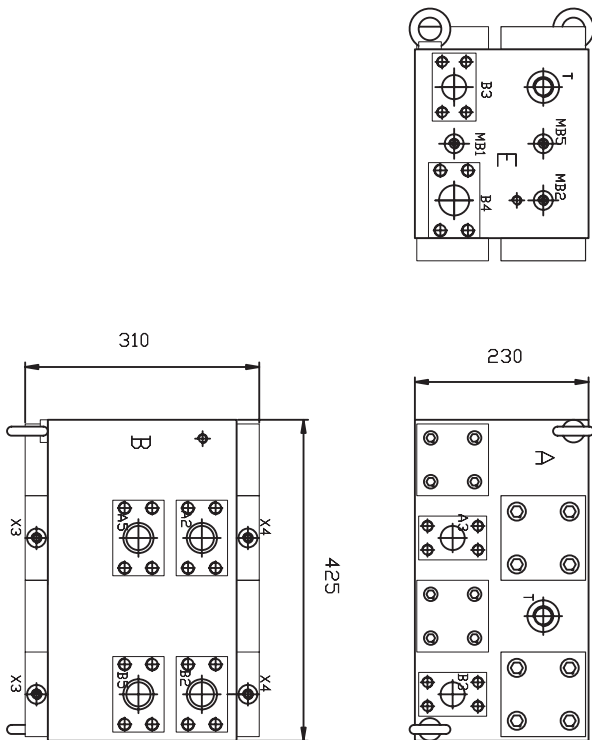


# Suuntaventtiili 4x3/2 R1½"

## 1000L 350 bar



Side A:  
A3 and B3 500 Lpm SAE 11/4" 6000 PSI  
T 50 Lpm 3/4" BSP

Side B:  
A2 and B2 500 Lpm SAE 11/2" 6000 PSI  
A5 and B5 800 Lpm SAE 11/2" 6000 PSI  
X1 and X3 1/4" BSP Pilot Pressure

Side D:  
A1 and B1 500 Lpm SAE 11/2" 6000 PSI  
A4 and B4 1000 Lpm SAE 11/2" 6000 PSI  
X2 and X4 1/4" BSP Pilot Pressure  
MA3 and MB3 1/4" BSP Measuring Ports

Side E:  
MB1, MB2 and MB5 1/4" BSP Measuring Ports  
B3 SAE 11/4" 6000 PSI  
B4 SAE 11/2" 6000 PSI  
T 3/4" BSP Plugged

Side F:  
MA1, MA2 and MA5 1/4" BSP Measuring Ports  
A3 SAE 11/4" 6000 PSI  
A4 SAE 11/2" 6000 PSI

Working Pressure 350 bar  
Pilot Pressure 30 bar.