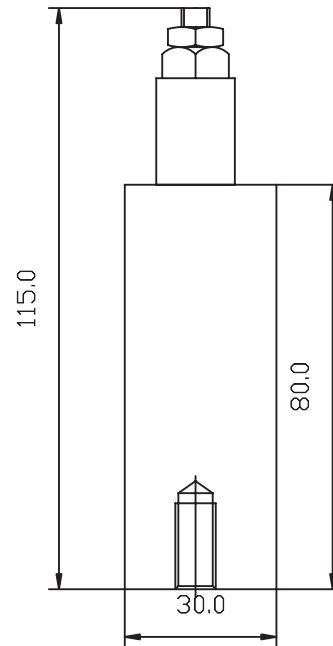
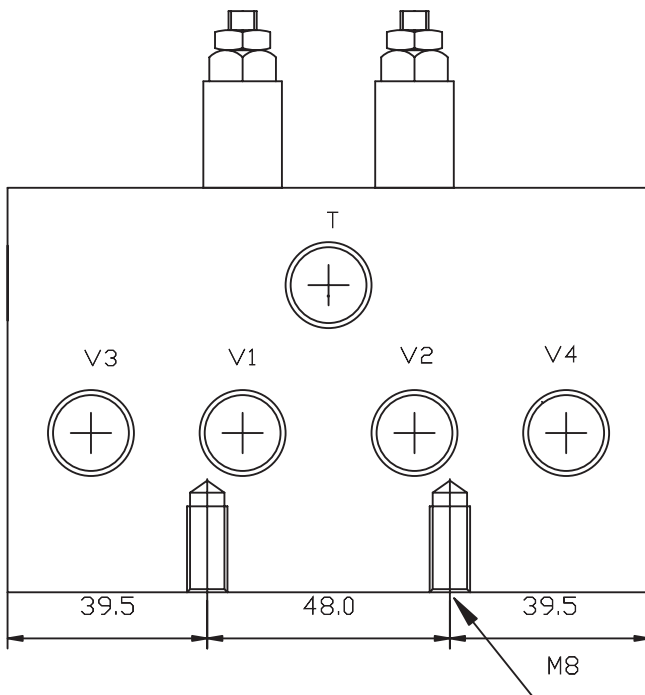
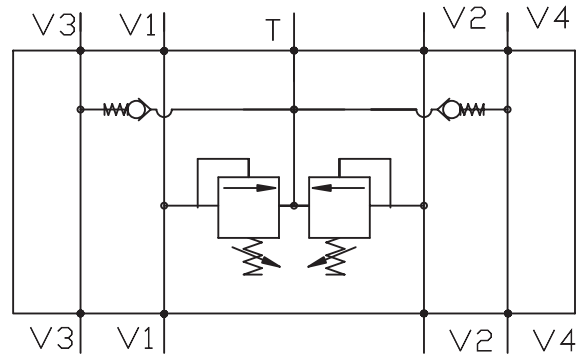


Double pressure control valve/ induction valve R3/8"



| Model | Threaded coupling | Flow l/min | Max.pres. bar. |
|--------|-------------------|------------|----------------|
| KVVP38 | R 3/8" | 50 | 250 |