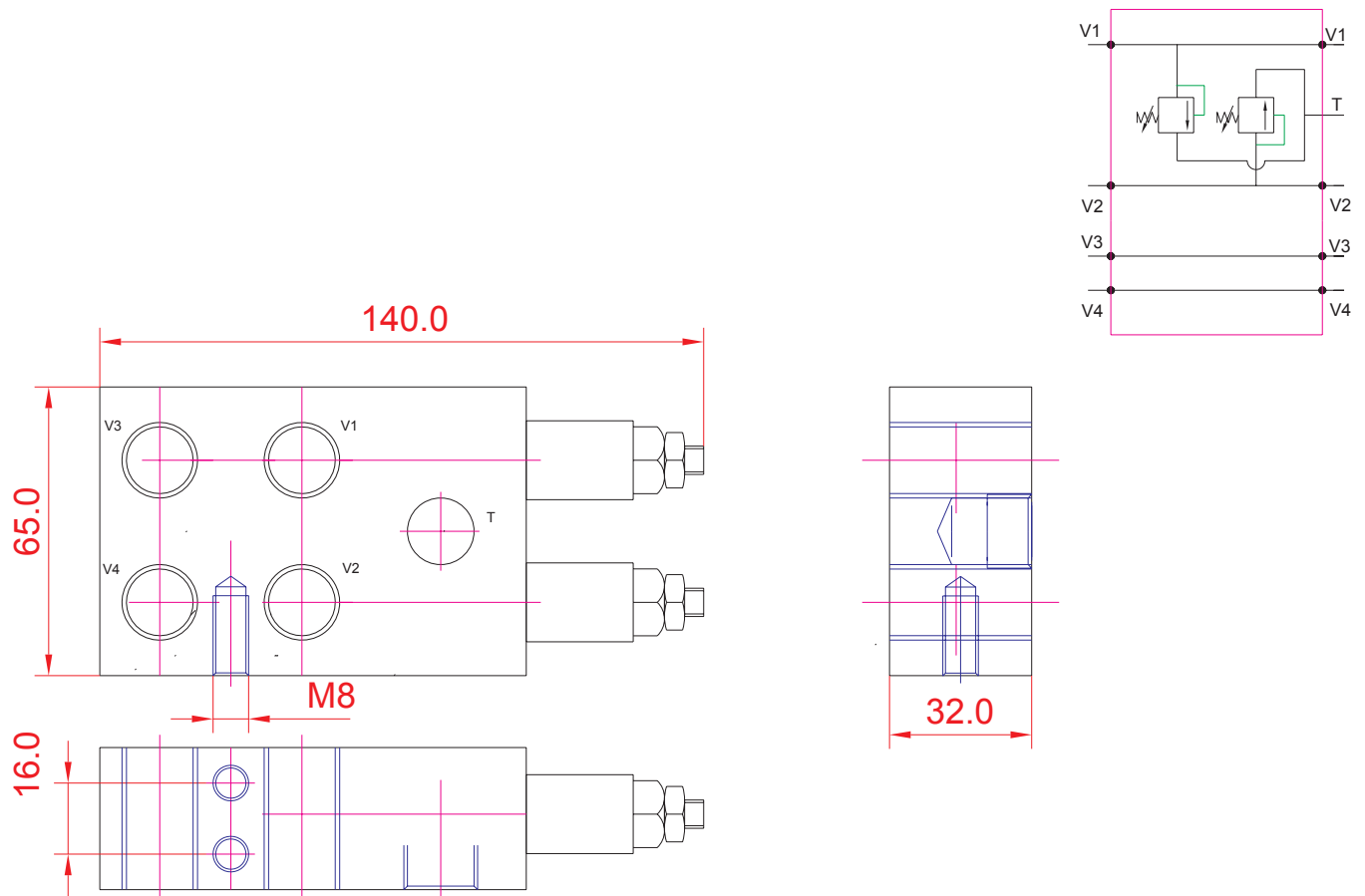


Double pressure control valve / tank connection R3/8"



Model	Threaded coupling	Max. flow l/min	Max. pres. bar.
KVT38	R 3/8"	50	250