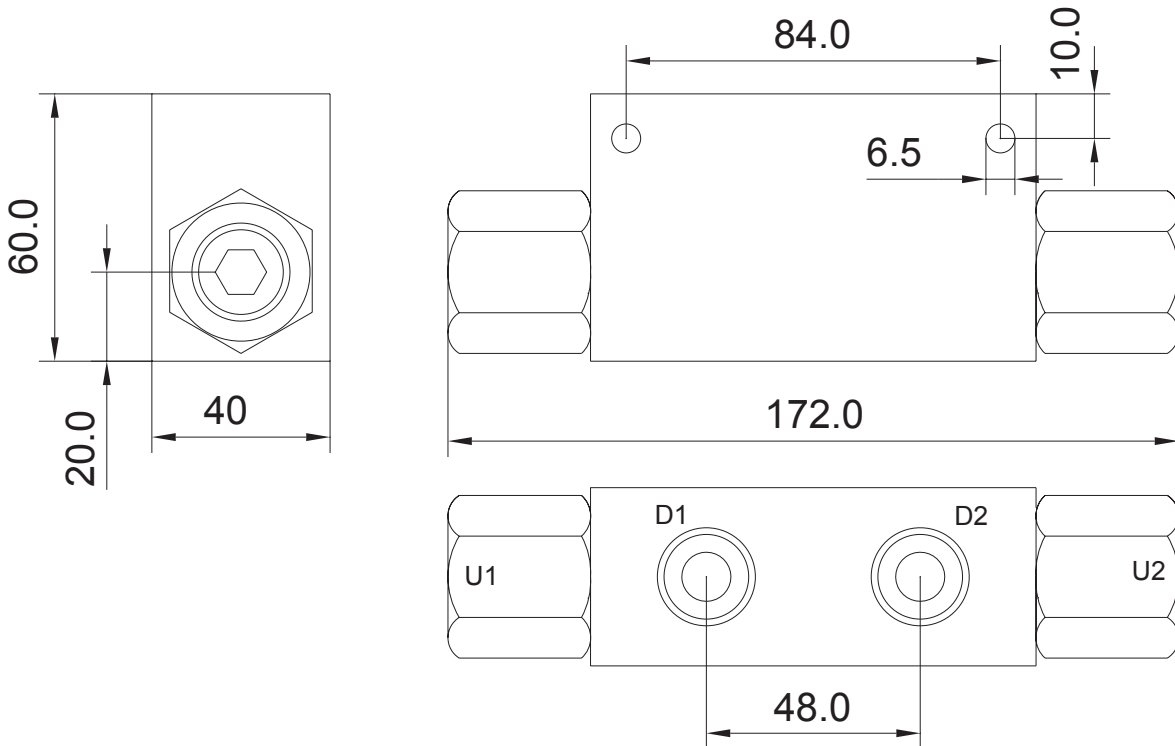
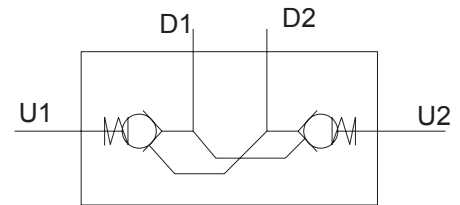


Double lock non return valve R1/2"



Model	Threaded coupling	Max. flow l/min	Max. pres bar
L12	R 1/2"	70	315