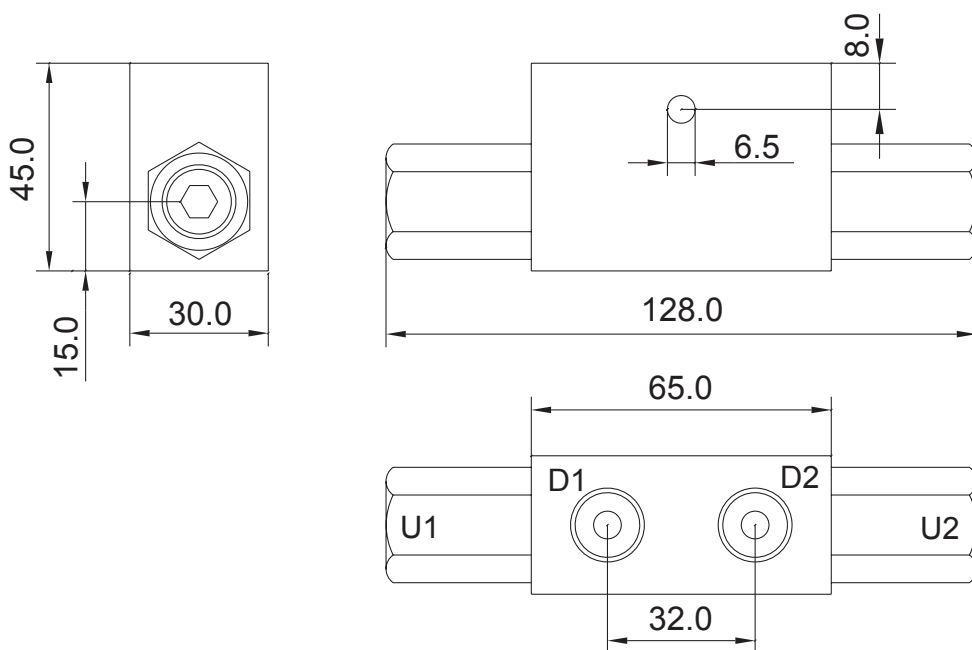
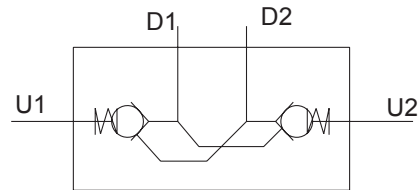


## Double lock non return valve R1/4", R3/8"



Model	Threaded coupling	Max. flow l/min	Max. pres. bar.
L14	R 1/4"	40	315
L38	R 3/8"	45	315