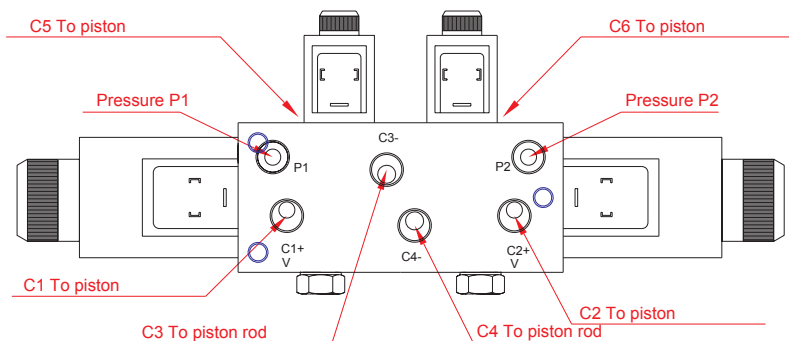
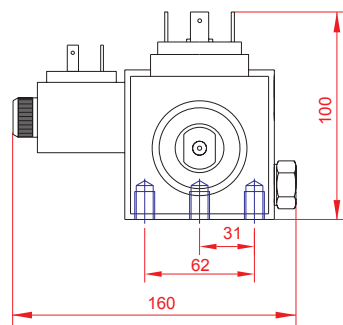
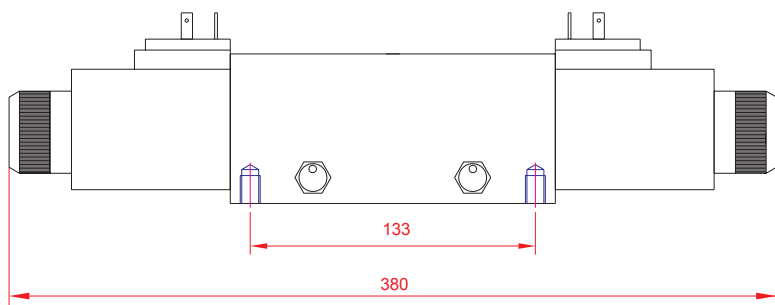
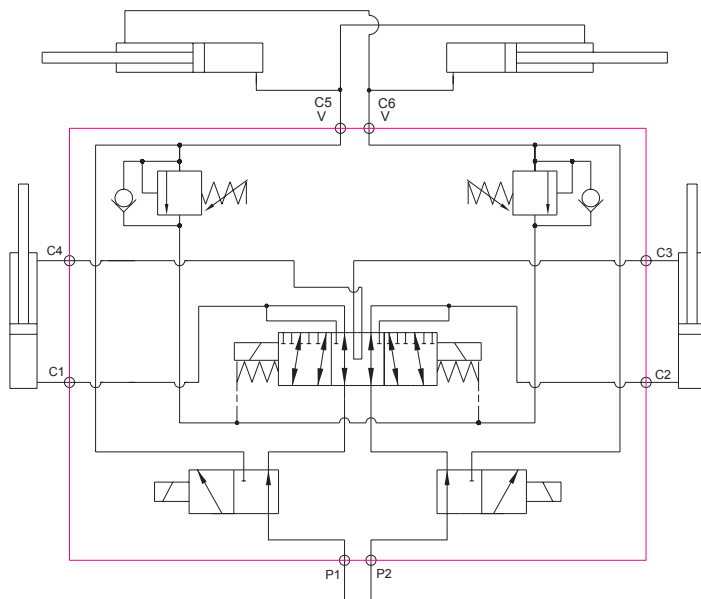


Solenoid controlled 8/3 3/2 directional control valve R3/8" / pressure control valve / induction valve



VOLTAGE
12 VDC
24 VDC

Model	Threaded coupling	Flow l/min	Max. pres. bar.
E8338PVS	R 3/8"	30	210