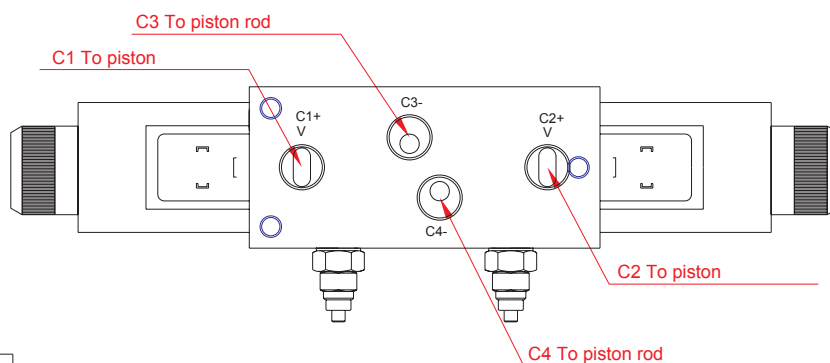
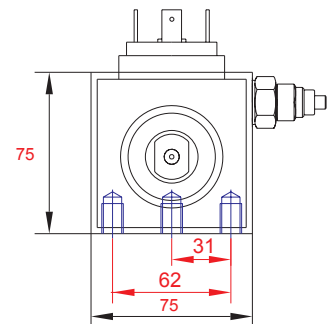
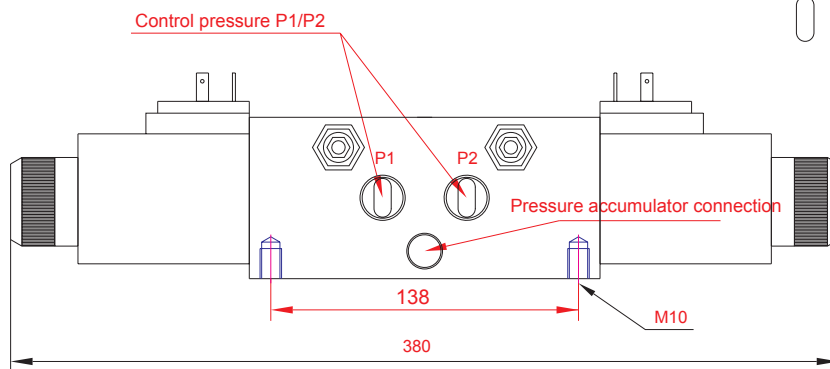
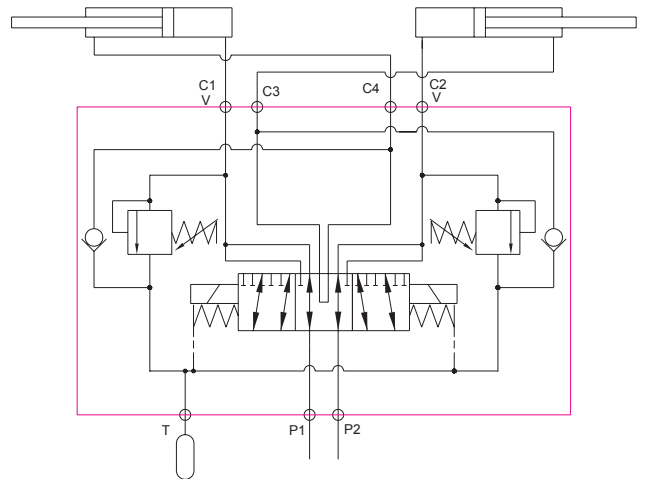


Solenoid controlled 8/3 directional control valve R1/2" / pressure control valve / with connection to pressure accumulator



| |
|---------|
| VOLTAGE |
| 12 VDC |
| 24 VDC |

| Model | Threaded coupling | Flow l/min | Max. pres. bar. |
|---------|-------------------|------------|-----------------|
| E8312PV | R 1/2" | 75 | 210 |