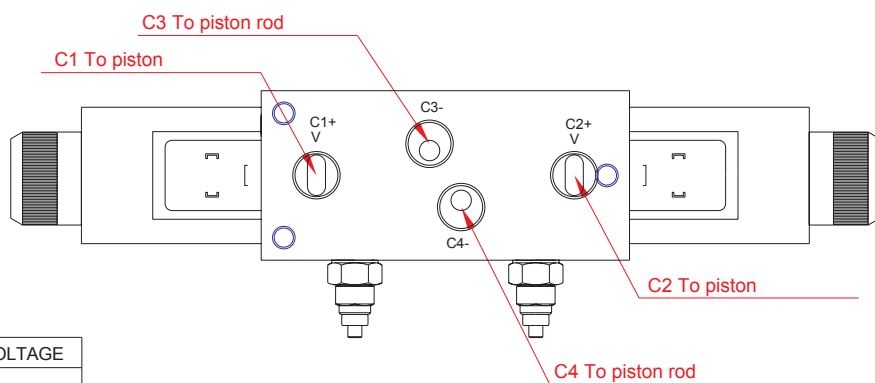
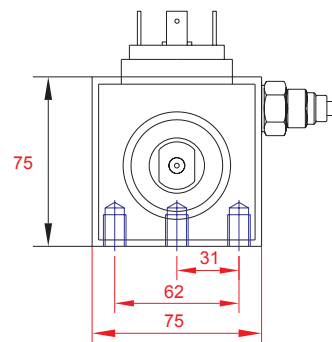
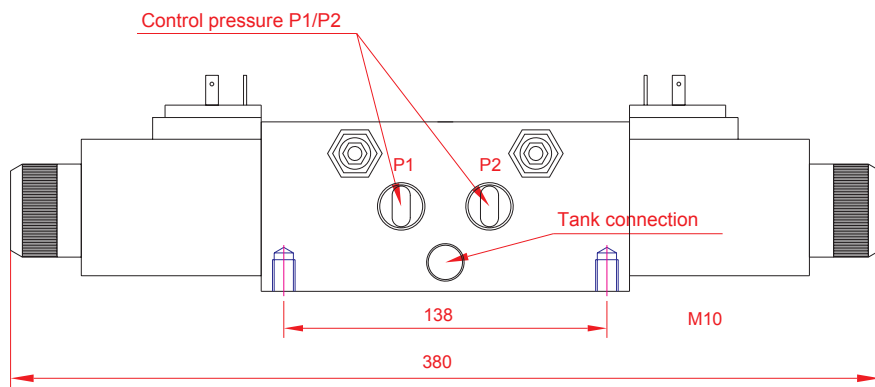
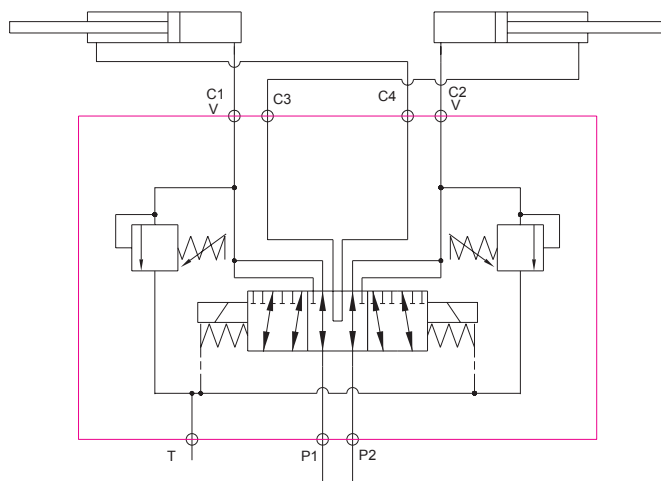


Solenoid controlled 8/3 directional control valve R1/2" / pressure control valve / tank connection



VOLTAGE
12 VDC
24 VDC

Model	Threaded coupling	Flow l/min	Max. pres. bar.
E8312P	R 1/2"	75	210