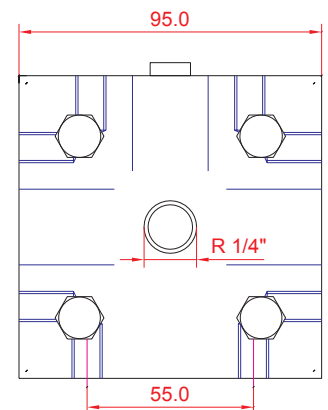
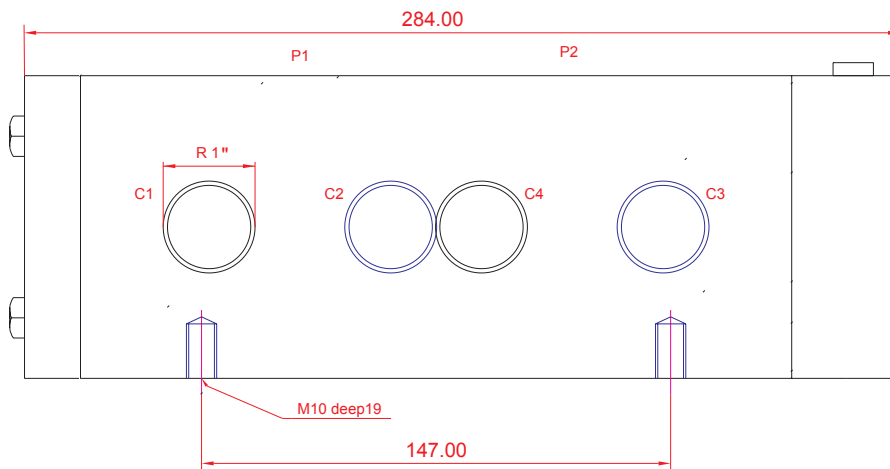
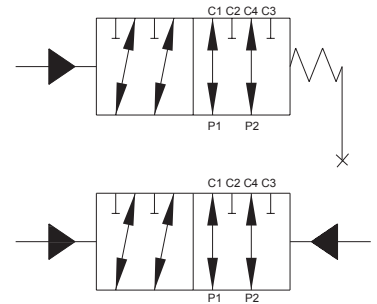


Pressure controlled 6/2 directional control valve R1"



Model	Threaded coupling	Flow l/min	Max. pres. bar.
P621	R1"	160	420
PJ621	R1"	160	420