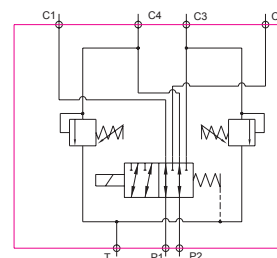
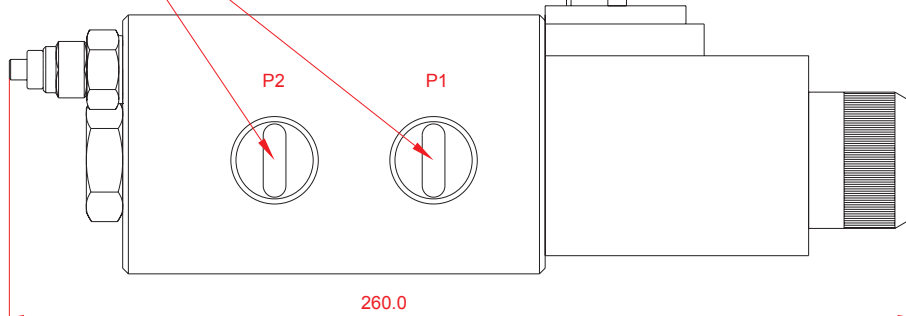
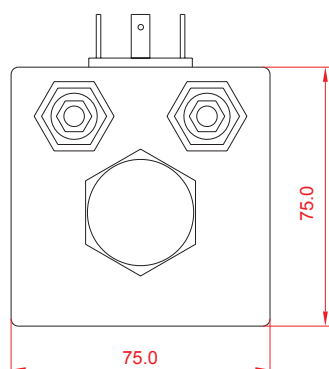


Solenoid controlled 6/2 directional control valve, equipped with a relief/pop valve, R 1/2"

1/2

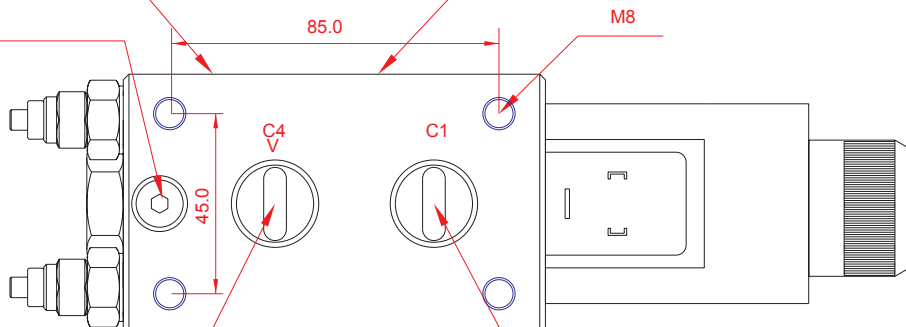
Control pressure P1/P2



C3 To piston

C2 To piston rod

Tank line



C4 To piston

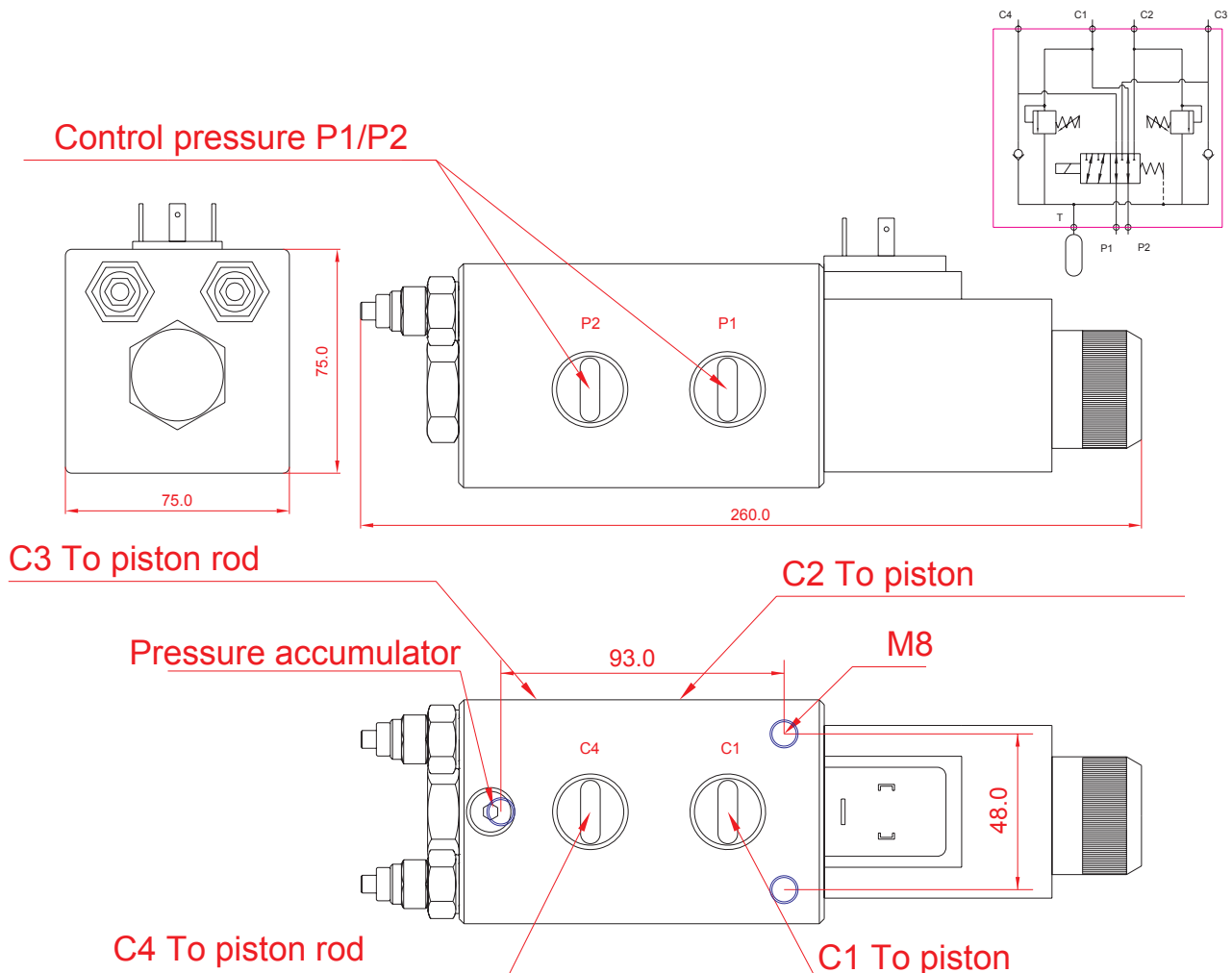
C1 To piston rod

Model	Threaded coupling	Flow l/min	Max. pres. bar.
E6212P	R 1/2"	75	210

VOLTAGE
12 VDC
24 VDC

Solenoid controlled 6/2 directional control valve, equipped with a relief/pop valve, R 1/2"

2/2



Model	Threaded coupling	Flow l/min	Max. pres. bar.
E6212PV	R 1/2"	75	210

VOLTAGE
12 VDC
24 VDC