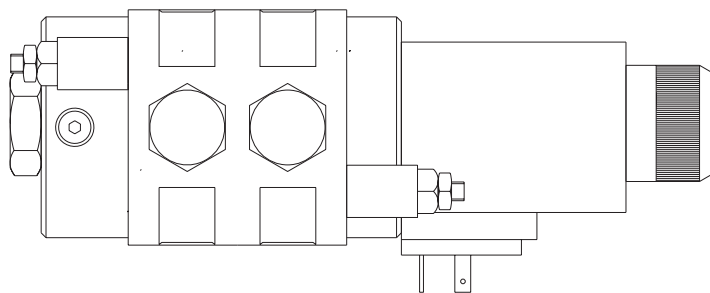
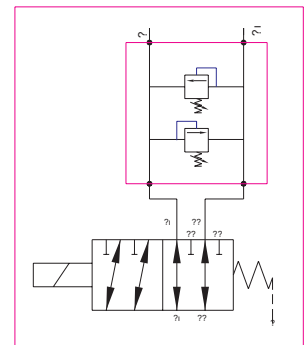
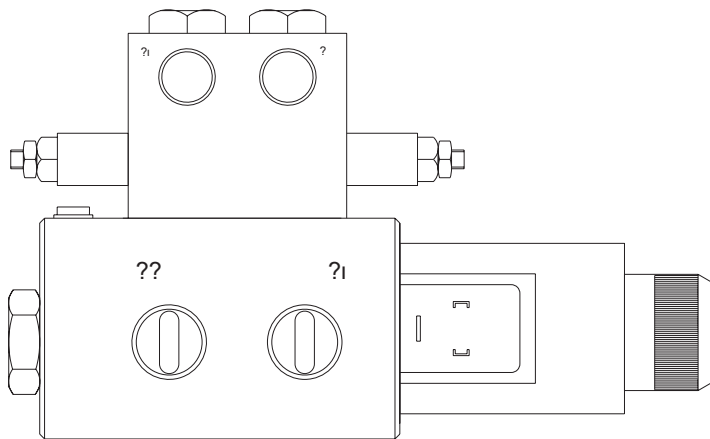


# Solenoid controlled 6/2 directional control valve / double pressure control valve, R3/8, R 1/2"



Model	Threaded coupling	Flow l/min	Max. pres. bar.
E6238C	R 3/8"	50	210
E6212	R 1/2"	75	210

VOLTAGE
12 VDC
24 VDC