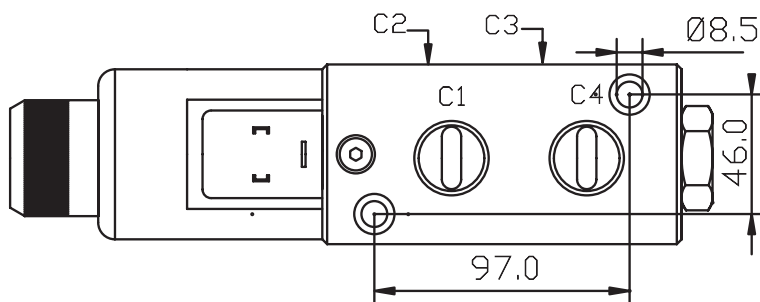
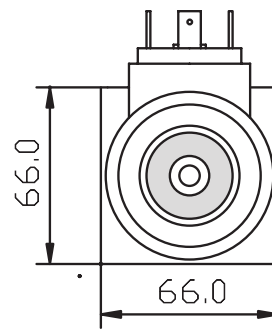
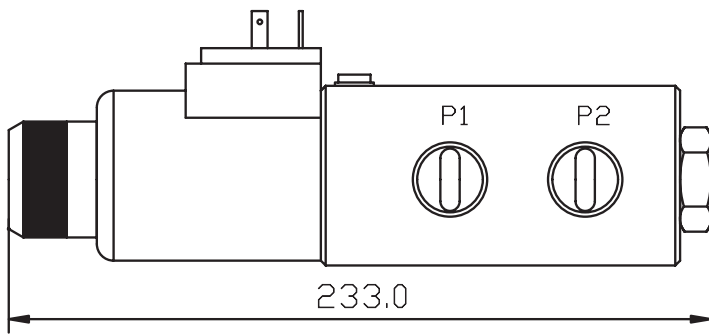
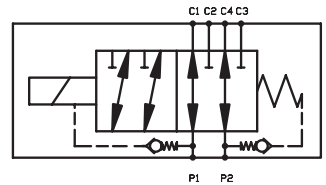


Solenoid controlled 6/2 directional control valve R1/2",R3/4",M22,M27/350bar



VOLTAGE

12 VDC

24 VDC

Model	Threaded coupling	Flow l/min	Max.pres. bar.
E6212/350	R 1/2"	90	350
E6234/350	R 3/4"	120	350
E62M22/350	M22x1.5	90	350
E62M27/350	M27x2.0	120	350