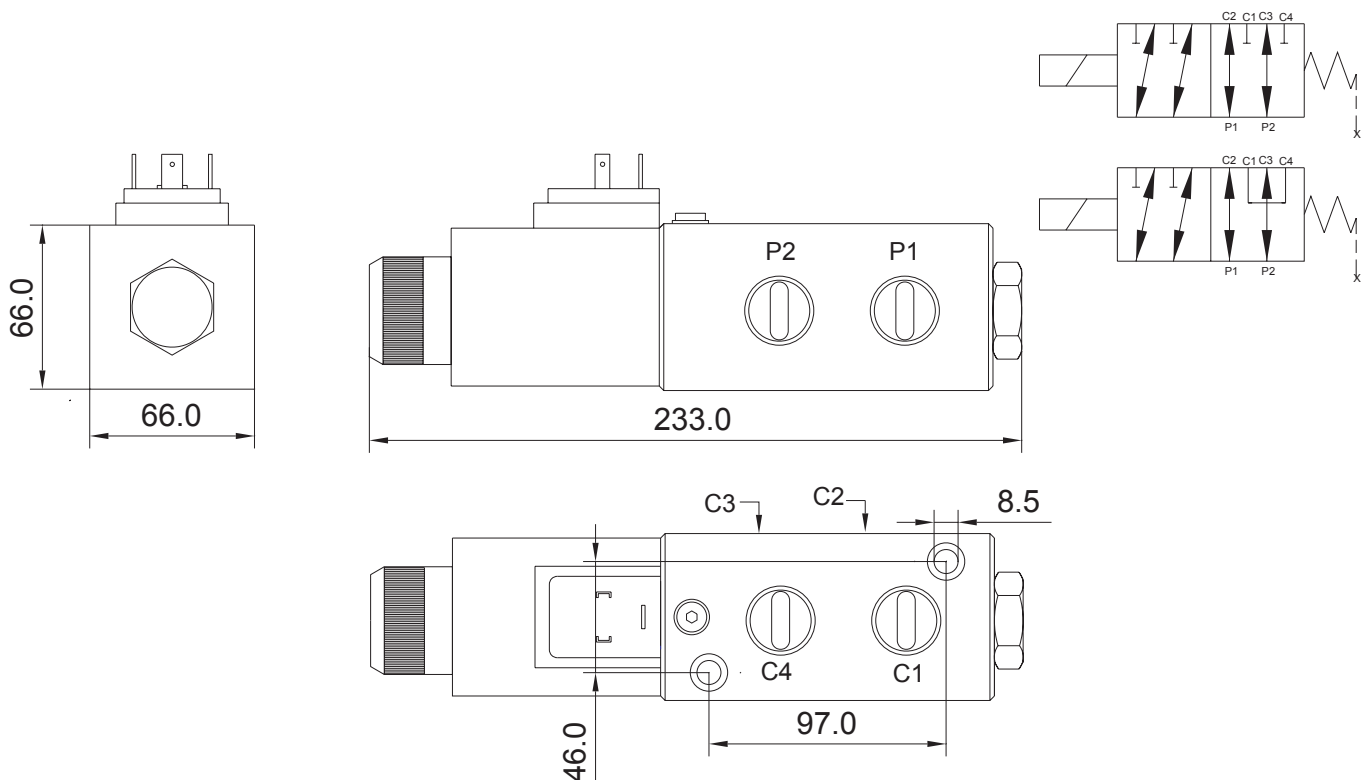


# Solenoid controlled 6/2 directional control valve R1/2", R3/4" M22x1.5, M27x2.0



			VOLTAGE
			12 VDC
			24 VDC
Model	Threaded coupling	Flow l/min	Max. pres. bar.
E6212	R 1/2"	80	210
E6234	R 3/4"	95	210
E62M22	M22x1.5	80	210
E62M27	M27x2.0	95	210