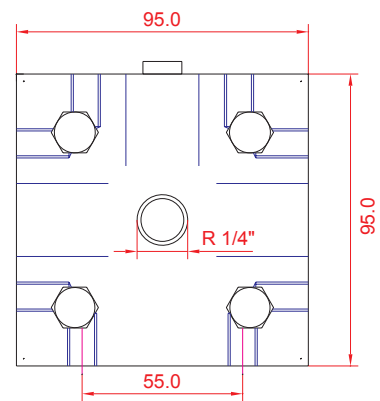
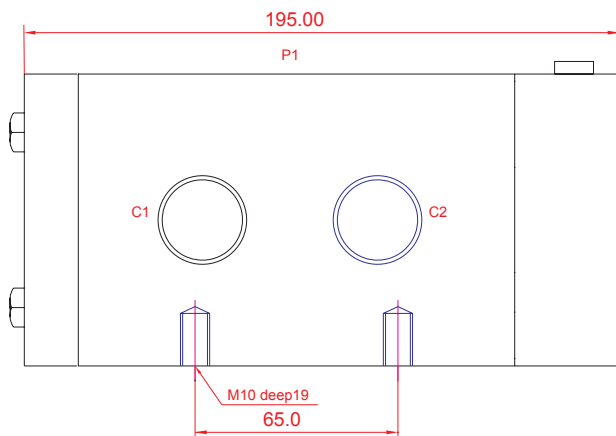
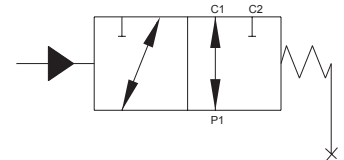


Pressure controlled 3/2 directional control valve R1"



Model	Threaded coupling	Flow l/min	Max. pres. bar.
PJ321	R1"	160	420